

## Phase and amplitude measurement for the SPIRAL2 accelerator

C. Jamet, W. Le Coz, C. Doutressoulles, T. André, E. Swartvagher

► **To cite this version:**

C. Jamet, W. Le Coz, C. Doutressoulles, T. André, E. Swartvagher. Phase and amplitude measurement for the SPIRAL2 accelerator. 9th European Workshop on Beam Diagnostics and Instrumentation for Particle Accelerators (DIPAC 2009), May 2009, Basel, Switzerland. pp.1-2, 2009. in2p3-00397563

**HAL Id: in2p3-00397563**

**<http://hal.in2p3.fr/in2p3-00397563>**

Submitted on 22 Jun 2009

**HAL** is a multi-disciplinary open access archive for the deposit and dissemination of scientific research documents, whether they are published or not. The documents may come from teaching and research institutions in France or abroad, or from public or private research centers.

L'archive ouverte pluridisciplinaire **HAL**, est destinée au dépôt et à la diffusion de documents scientifiques de niveau recherche, publiés ou non, émanant des établissements d'enseignement et de recherche français ou étrangers, des laboratoires publics ou privés.

# PHASE AND AMPLITUDE MEASUREMENT FOR THE SPIRAL2 ACCELERATOR

C. Jamet, W. Le Coz, C. Doutressoulles, T. Andre, E. Swartvagher, GANIL, Caen, France

## Abstract

The SPIRAL2 project is composed of an accelerator and a radioactive beam section. Radioactive ions beams (RIBs) will be accelerated by the current cyclotron CIME and sent at GANIL experimental areas. The accelerator, with a RFQ and a superconducting Linac, will accelerate 5 mA deuterons up to 40MeV and 1 mA heavy ions up to 14.5 MeV/u. A new electronic device has been evaluated at GANIL to measure phase and amplitude of pick-up signals. The principle consists of directly digitizing pulses by under-sampling. Phase and amplitude of different harmonics are then calculated with a FPGA by an I/Q method. Tests and first results of a prototype are shown and presented as well as future evolutions.

Table 2: Phase Measurement Accuracy

	Energy Accuracy	Distance (mm)	Phase Accuracy
IBT	$10^{-3}$	1500 +/-0.2	+/-0.5°
HEBT	$5.10^{-3}$	5000 +/-2	+/-2 °

Intensity dynamic ( $50 \mu\text{A} < I_{\text{beam}} < 5\text{mA}$ )  
 Beam ratio (CW to 100µs/100ms)

Phase measurement gives the possibility to subtract the offset, an advantage compared to the time measurement.

## INJECTOR TEST BENCH PICK-UP

3 pick-ups will be used to measure beam energy. The third pick-up allows determining the bunch number between two first pick-ups.

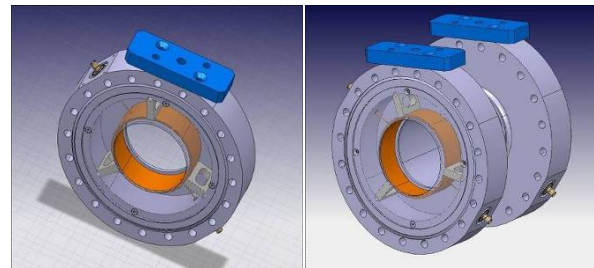


Figure 2: Pick-up Design. Diameter: 80 mm, Length: 30 mm.

## SPIRAL2 ACCELERATOR

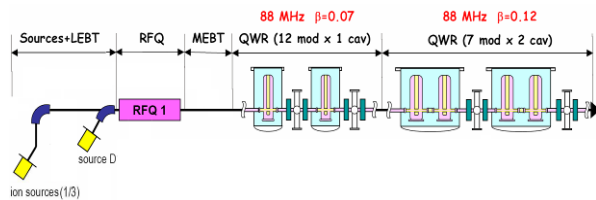


Figure 1: Accelerator Layout.

The accelerator is divided in 3 main parts, an injector, a superconducting linac and a high energy line. The injector part is composed of a deuteron/proton line, an ion line (LEBT), a RFQ and a MEBT line. Two kinds of superconductivity cavity are used for the Linac ( $\beta=0.07$ ,  $\beta=0.12$ ).

Table 1: Beam Intensity and Power

	Intensity	Energy	Power
LEBT1 (ions)	1 mA	20 keV/A	60 W
LEBT2 (deut.)	5 mA	40 keV	200 W
MEBT	5 mA	750 keV/A	7.5 kW
HEBT	5 mA	20 MeV/A	200kW

## BEAM ENERGY MEASUREMENT

During the RFQ and the MEBT commissioning, an Injector Test Bench (BTI) will be used to qualify beam characteristics. Beam energy will be measured at the exit of the RFQ by the “time of flight” method. Another beam energy measurement by TOF is foreseen in the HEBT at the exit of the superconducting LINAC.

## PICK-UP SIGNAL SIMULATIONS

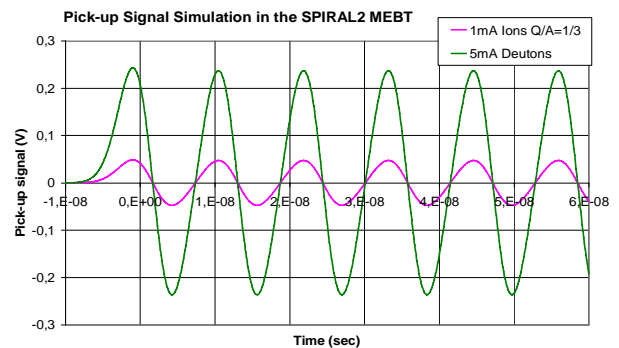


Figure 3: MEBT Pick-up Signal Simulation.

Signal amplitudes  
 - 1mA ions Q/A=1/3:  $V_{h1} = 50 \text{ mV}$   
 - 5mA deuterons :  $V_{h1} = 230 \text{ mV}$   
 Ratio  $h1/h2 = 13$

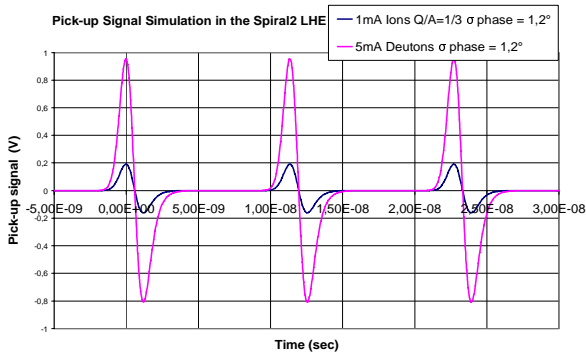


Figure 4: HEBT Pick-up Signal Simulation.

Signal amplitudes

- 1mA Ions Q/A= 1/3: Vh1= 27mV Vh2= 44mV
- 5mA Deuteron : Vh1= 136mV Vh2= 220mV
- Ratio h1/h2 = 0,62

**PHASE MEASUREMENT METHOD**

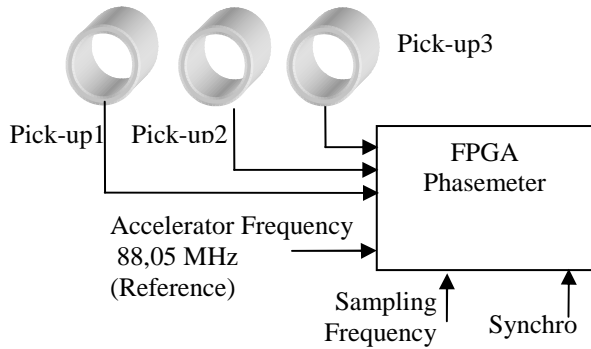


Figure 5: Assembly Scheme.

Three pick-up signals and the accelerator frequency signal will be connected directly to the FPGA phasemeter.

*Under-sampling*

Every signal is digitized at a sampling frequency lightly different from the signal frequency.

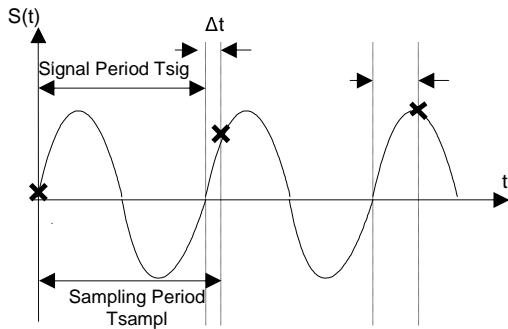


Figure 6: Under-sampling Timing.

$$\Delta t = T_{smp} - T_{sig} \quad N_b = \frac{T_{sig}}{\Delta t} \quad F_{smp} = F_{sig} \frac{N_b}{N_b + 1}$$

Nb: number of samplings to reconstruct a signal period

Under-sampling uses ADCs at a lower frequency than a classical digitalisation frequency. The sample period is higher and allows digital signal processing directly by FPGA. The ADC accuracy increases and improves the dynamic measurement. The reference is also under-sampled and used in the FPGA digital signal processing.

*I/Q Method*

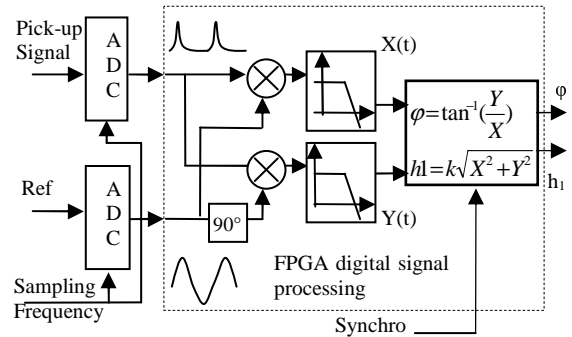


Figure 7: I/Q Diagram.

$$\begin{cases} X = \frac{A_{sig} A_{ref}}{2} \cos(\varphi) \\ Y = \frac{A_{sig} A_{ref}}{2} \sin(\varphi) \end{cases} \quad \begin{cases} \varphi = \tan^{-1}\left(\frac{Y}{X}\right) \\ h1 = \frac{2}{A_{ref}} \sqrt{X^2 + Y^2} \end{cases}$$

Digital signals are processed by an I/Q method in a FPGA. A synchronisation input is foreseen for pulsed beam, which indicates the beam presence.

Under-sampling and digital process simplify the analogic chain and remove mixers used classically with an I/Q method.

**FPGA BOARD PROTOTYPE**

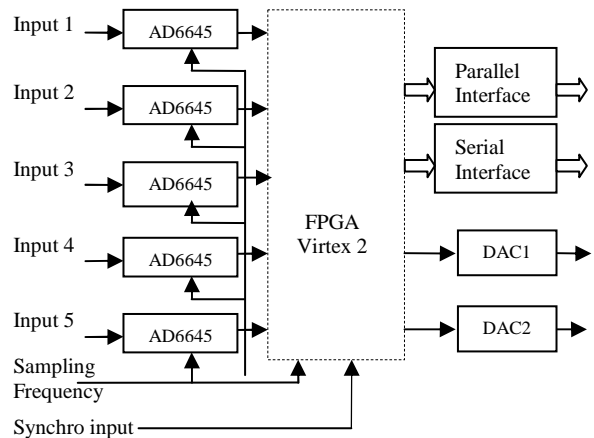


Figure 8: Board Diagram.

The FPGA board prototype is composed of analog to digital converters AD6645 Analog Devices (14 bits), a FPGA Virtex2 Xilinx, a double digital to analog converter AD9765, a parallel and a serial interface.

## TEST BENCH DESCRIPTION

Tests and measurements are realized at a GANIL frequency (7MHz). The goal is to compare the measures in laboratory and on the accelerator.

### CW Sinusoidal Signal

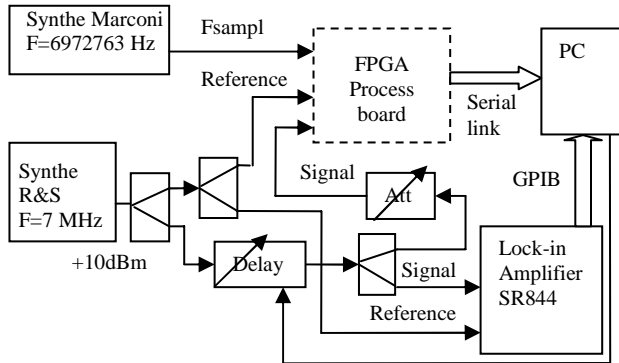


Figure 9: Test Bench Diagram.

Synthesizer R&S and splitters generate references and signals. FPGA Phase and module values are compared with the lock-in amplifier measures (SR 844 Stanford Research). The reference frequency is calculated to have 256 values per period in the FPGA process. Programmable Delay lines change the signal phase from 0° to 360°. Tests consist of measuring phase and module variations between FPGA and SR844 with shifting the signal phase. A variable attenuator decreases module signal from 0dB to 60 dB and allows comparing results with different signal levels.

## RESULTS

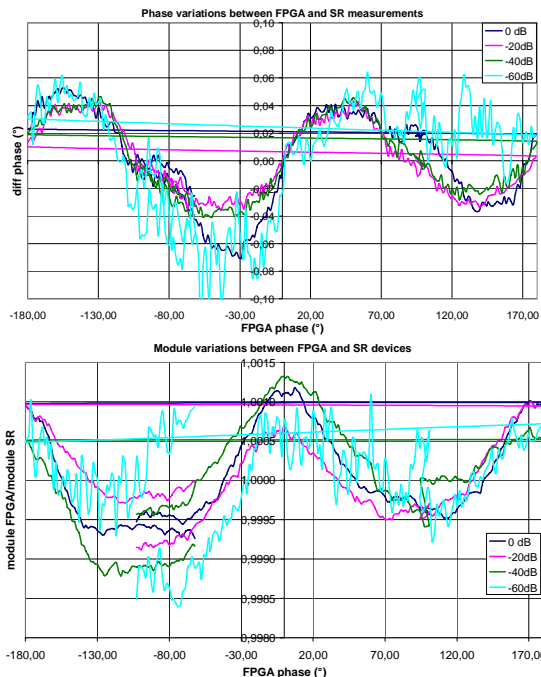


Figure 10: Phase and Module Variations.

Results are the same with a duty cycle (1ms/100ms), measurement time increases proportionally to the ratio.

### CW Pulse Signal

A pulse generator (Avtech AVM-1-C) is installed in front of the attenuator. The pulse width is about 10 ns.

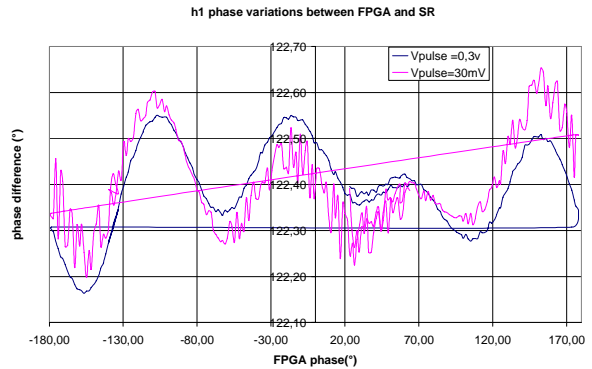


Figure 11: Phase Variations.

Main variations are due to the h2 and h3 harmonics of the reference signal. Results will be improved after filtering the reference by process.

## CONCLUSIONS AND EVOLUTIONS

Under-sampling and numerical processing by I/Q method gives good results in laboratory. On a great dynamics (60dB), FPGA phasemeter is able to measure sinusoidal signal phase precisely (+/-0.1°). With pulse signals, improvements must be done to filter the reference signal and optimize the accuracy.

Pick-up signal digitalization gives also the possibility to calculate module and phase of different harmonics. This electronics can also give the opportunity to follow beam intensity on line.

The next step consists in using FPGA phasemeter on the GANIL accelerator, measuring the time of flight with two pick-ups, calculating the beam energy and comparing this value with the spectrometer measure.

A new prototype is also in development to improve analog input adaptation, sampling frequency distribution, integration with the FPGA.

## REFERENCES

- [1] P. Ausset & al, SPIRAL2 Injector Diagnostics, DIPAC09, Basel, MOPD27
- [2] C. Jamet & al, Injector Diagnostic Overview of SPIRAL2 Accelerator, DIPAC07, Venice
- [3] T. Junquera & al, Status of the Construction of the SPIRAL2 Accelerator at GANIL, LINAC08, Victoria
- [4] T. Junquera & al, The high intensity superconducting Linac for the SPIRAL2 project at Ganil, LINAC06, Knoxville,
- [5] P. Bertrand, JL Biarrotte and D. Uriot, Beam dynamics studies for the Spiral2 project, EPAC06