

Calibration of Electronic Read-out chains for the MICROMEGAS chambers

C. Adloff, M. Chefdeville, A. Espargilière, R. Gaglione

► **To cite this version:**

C. Adloff, M. Chefdeville, A. Espargilière, R. Gaglione. Calibration of Electronic Read-out chains for the MICROMEGAS chambers. 2009, pp.11. in2p3-00400295v2

HAL Id: in2p3-00400295

<http://hal.in2p3.fr/in2p3-00400295v2>

Submitted on 2 Jul 2009

HAL is a multi-disciplinary open access archive for the deposit and dissemination of scientific research documents, whether they are published or not. The documents may come from teaching and research institutions in France or abroad, or from public or private research centers.

L'archive ouverte pluridisciplinaire **HAL**, est destinée au dépôt et à la diffusion de documents scientifiques de niveau recherche, publiés ou non, émanant des établissements d'enseignement et de recherche français ou étrangers, des laboratoires publics ou privés.



Laboratoire d'Anecy-le-Vieux
de Physique des Particules

LAPP-TECH-2009-02

March 2009

Calibration of Electronic Read-out chains for the MICROMEAS chambers

C. Adloff, M. Chefdeville, A. Espargilière, R. Gaglione

LAPP - Université de Savoie - CNRS/IN2P3

BP. 110

F-74941 Anecy-le-Vieux Cedex, FRANCE



CENTRE NATIONAL
DE LA RECHERCHE
SCIENTIFIQUE

IN2P3

INSTITUT NATIONAL DE PHYSIQUE NUCLÉAIRE
ET DE PHYSIQUE DES PARTICULES



Calibration of Electronic Read-out chains for the MICROMEAS chambers

C. Adloff – M. Chefdeville – A. Espargilière – R. Gaglione
version 0.5

30 juin 2009

1 CAEN V550

This is a CRAM unit coupled to a 10-bit ADC. Its differential inputs are $50\ \Omega$ adapted. The gain can be selected among 4 values. Our setting is $1023\ ADU^1$ for 1.5 V. Two sets of measures have been performed, with a DC power supply as input signal. The module tested here is module 4, channel 1. The sequencer is auto-triggered by acquisition software. The manual indicates that it is a 10-bit ADC with 1.5 V dynamic, which leads to $1500/(2^{10} - 1) = 1.466\ mV/ADU$ or $0.682\ ADU/mV$.

1.1 Calibration with common mode signal

1.1.1 Setup

Setup is shown in fig. 1. The $signal^+$ is monitored with a precision voltmeter.

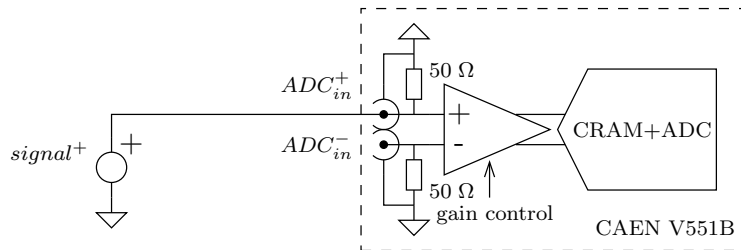


Figure 1 – V550 ADC in common mode

1.1.2 Results

$signal^+$ (mV)	ADU
0	10
150	105
250	167
500	326
1000	645
1500	963

The corresponding conversion ratio is $1.574\ mV/ADU$ or $0.635\ ADU/mV$.

¹Analog to Digital Unit

1.2 Calibration with differential mode signal

1.2.1 Setup

Setup is shown in fig. 2. The $signal^+$, $signal^-$ and $signal = signal^+ - signal^-$ are monitored with a precision voltmeter.

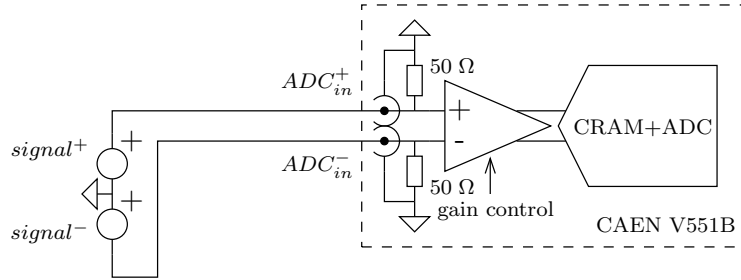


Figure 2 – V550 ADC in differential mode

1.2.2 Results

$signal^+$ (mV)	$signal^-$ (mV)	$signal$ (mV)	ADU
0	0	0	9
150	-150	300	200
300	-300	600	390
500	-500	1000	645
750	-750	1500	962

The corresponding conversion ratio is $1.574 \text{ mV}/ADU$ or $0.635 \text{ ADU}/\text{mV}$.

The conversion ration of CAEN V550 is $1.574 \text{ mV}/ADU$ or $0.635 \text{ ADU}/\text{mV}$, either in single-ended or in differential mode.

2 Gassiplex board

Figure 3 shows the general architecture of Gassiplex board, from CEA/IRFU, equipped with 6 Gassiplex 0.7-3 chip from CERN (only one channel is represented), thus providing 96 analog readout channels. The gain of these chips (and chips only, V_{out}), in gaseous detector mode, is $3.675 \text{ mV}/\text{fC}$ (from Gassiplex

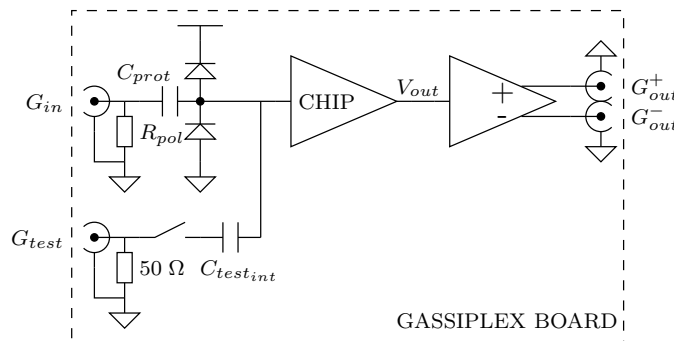


Figure 3 – Gassiplex board

documentation). The board itself has a differential output stage which doubles the signal. The theoretical board gain is 7.35 mV/fC. In order to measure the gain of these boards, we use an HP pulse generator with a precision attenuator (Wavetek). With a ΔV of 400 mV on a 50 Ω resistor, the injected charges through a 1 pF capacitor are :

Attenuation (dB)	Injected charge (fC)
0	400
-10	126.5
-20	40
-30	12.65
-40	4
-50	1.265

2.1 Calibration with internal capacitor

2.1.1 Setup

Each channel has its own test capacitor $C_{test_{int}} \simeq 1$ pF. Exact value is not very well known, but matching from channel to channel must be very good. The pulse generator is connected to the test input (G_{test}) of Gassiplex board through the attenuator. The relevant differential output voltage ($G_{out}^+ - G_{out}^-$) is measured on 2 channels of the oscilloscope.

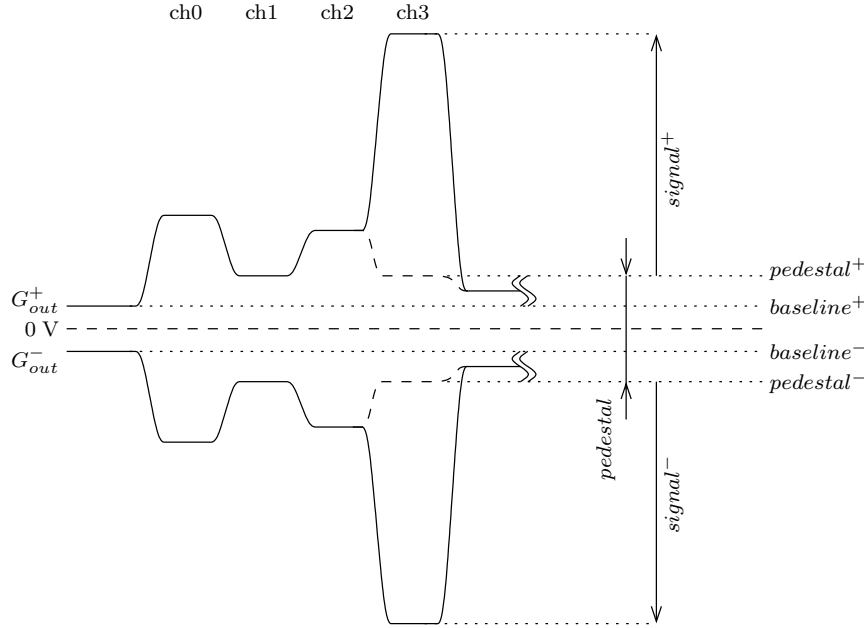


Figure 4 – Gassiplex board differential output signals

2.1.2 Results

The following results are for board number 42, channel number 3, with 40 fC input charge according to fig. 4. The differential output signal on $G_{out} = G_{out}^+ - G_{out}^-$. The pedestal, also differential, is defined as $pedestal = pedestal^+ - pedestal^-$ ². The measure is $signal = signal^+ - signal^- = G_{out} - pedestal = (G_{out}^+ - pedestal^+) - (G_{out}^- - pedestal^-)$. The following table gives the experimental points in mV.

²For Catherine : $pedestal^+ + pedestal^-$ should be equal to zero, but in reality, it is equal to offset.

Q_{inj} (fC)	G_{out}^+	$pedestal^+$	G_{out}^-	$pedestal^-$	$signal^+$	$signal^-$	$signal$
40	194	34	-198	-37	160	-161	321

The corresponding board gain is 8.025 mV/fC.

2.2 Calibration with external capacitor

2.2.1 Setup

Another test has been performed with an injection test box (fig. 5), connected at the G_{in} input of a Gassiplex board (board 42, channel 3). The $C_{test_{ext}}$ capacitor in the box has been carefully measured at 1.038 pF \pm 1%@1 MHz with a HP4284A LCR meter. The capacitance seems to decrease *vs* frequency. The pulse from this generator involves high frequency (several 100 MHz), so it is possible that actual capacitance is slightly lower.

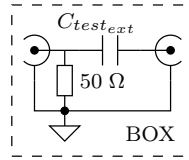


Figure 5 – External injection capacitor in its box

2.2.2 Results

Experimental points are in mV :

Q_{inj} (fC)	G_{out}^+	$pedestal^+$	G_{out}^-	$pedestal^-$	$signal^+$	$signal^-$	$signal$
41.52	182	35	-186	-39	147	-147	294

The corresponding gain is 7.08 mV/fC.

2.3 Gassiplex chip gain verification

To check the chip gain only, the response to a 41.52 fC signal through $C_{test_{ext}}$ has been measured with a 10 \times passive probe on a V_{out} node. The following table presents the results.

Q_{inj} (fC)	V_{out} (mV)	$pedestal$ (mV)	$signal$ (mV)
41.52	-114	22	-136

The corresponding gain is 3.27 mV/fC for the chip only (only one channel tested).

2.4 Gassiplex board + CAEN V550 ADC

The theoretical gain of a Gassiplex board is 7.35 mV/fC and the theoretical conversion factor of the CAEN V550 ADC is 0.682 *ADU*/mV, thus giving a theoretical conversion factor of 5.01 *ADU*/fC.

A similar evaluation can be made with measured values : the measured Gassiplex board gain is 7.08 mV/fC and the measured CAEN V550 ADC conversion ratio is 0.635 *ADU*/mV, giving a conversion factor of 4.49 *ADU*/fC.

2.5 Setup

The Micromegas detector are polarized with their working high voltage. As the gain of the Gassiplex boards as been verified with an external capacitor, the internal capacitor will be used for these tests. The pulse generator and attenuator values given in 2 have been used. The Gassiplex boards are read by CAEN V550 ADCs. Several NIM counters are used to select the Gassiplex channel to be excited, and to generate 1000 pulses for each input charge, *i.e.* 126.5, 40 and 12.65 fC. For each charge, the ADC count histogram is fitted with a gaussian and the mean is plotted versus injected charge and a linear function fitted to the measured points, which gives the conversion ratio (fig. 6).

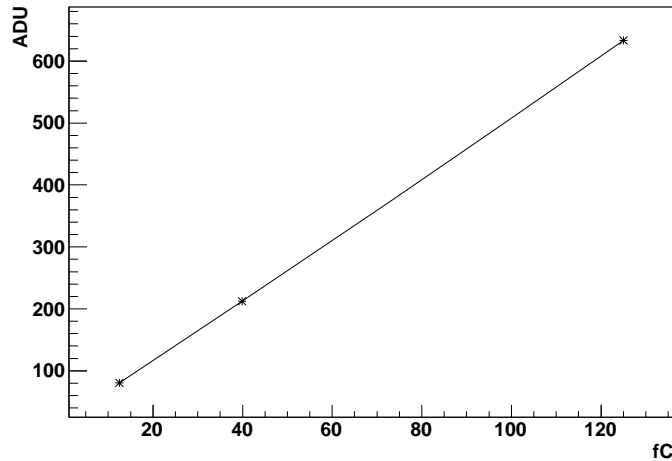


Figure 6 – ADC Unit versus input charge for one Gassiplex channel (anode readout)

2.6 Results

The mean conversion ratio over 384 channels (4 boards) is 4.85 ± 0.25 ADU/fC with a standard deviation of 0.07 ADU/fC. The conversion ratio distribution of one board (96 channels) is given fig. 7.

2.7 Important note

According to the Gassiplex documentation, a chip gain of 3.675 mV/fC has been performed with an external capacitor, while a similar test with the internal capacitors gives a gain of 3.8 mV/fC. I suggest to subtract 3.29% to 4.85 ADU/fC, the conversion ratio obtained with internal capacitor to match the conversion ratio obtained with external capacitor. Thus, the 4.85 ± 0.25 ADU/fC becomes 4.69 ± 0.25 ADU/fC.

The conversion ratio of a Gassiplex board on a CAEN V550 ADC is 4.69 ± 0.25 ADU/fC

3 ORTEC 142C

3.1 Theoretical value

The gain of the ORTEC 142C charge preamplifier given in units of MeV in Si is 20 mV/MeV. With an ionization potential of 3.6 eV, the charge deposited in Si is about 44.2 fC/MeV, the gain of the preamplifier

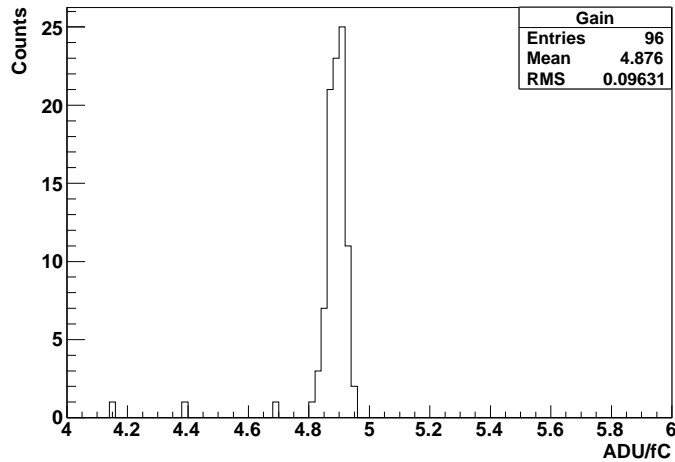


Figure 7 – Gain distribution for one Gassiplex board

should then be $452.5 \mu\text{V}/\text{fC}$.

3.2 Setup

Be careful! The E output of the 142C charge preamplifier is 93Ω adapted : it *must* be loaded by an ORTEC spectroscopy amplifier like the ORTEC 570. Additionally, the T output must be 50Ω adapted, even if unused (please read the manual). Setup is presented in fig. 8. The accuracy of the 570 spectroscopy amplifier gain setting has been verified. Two sets of measures have been performed, either with the regular O_{in} input associated with the so-called box (containing the external capacitor), either with a pulser directly connected to the O_{test} test input. In the latter case, the voltage is monitored with an oscilloscope, as the pulse generator is no longer adapted.

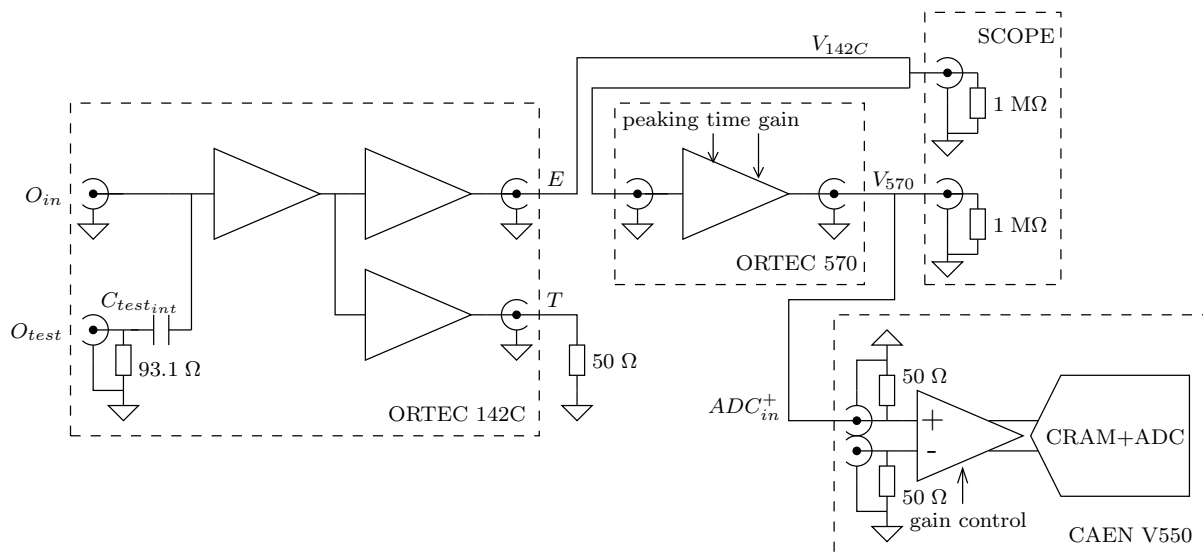


Figure 8 – Calibration of the ORTEC 142C charge preamplifier

3.3 Results

With external capacitor :

Q_{in} (fC)	ΔV_{142C} (mV)	ΔV_{570} (mV)	ADU
0	0	0	9
41.2	14.6	145	100
131.3	46	460	298
412	146	1440	924

With internal capacitor :

Q_{in} (fC)	ΔV_{142C} (mV)	ΔV_{570} (mV)	ADU
0	0	0	9
33.6	12.7	125	88
105.6	40.2	394	259
336	126	1244	801
1048	400	3900	-

Experimental data have been fitted with straight line, as shown in fig. 9.

3.4 Summary

	Gain with C_{ext}		Gain with C_{int}	
142C	0.351 ± 0.004 mV/fC	2.849 ± 0.032 fC/mV	0.378 ± 0.021 mV/fC	2.645 ± 0.147 fC/mV
570	3.480 ± 0.071 mV/fC	0.287 ± 0.006 fC/mV	3.713 ± 0.342 mV/fC	0.269 ± 0.024 fC/mV
V550	2.359 ± 0.137 ADU/fC	0.424 ± 0.025 fC/ADU	2.199 ± 0.026 ADU/fC	0.455 ± 0.005 fC/ADU

The conversion ratio of the ORTEC 142C+570 and CAEN V550 ADC is 2.199 ± 0.026 ADU/fC.

4 Detector with ^{55}Fe

All subsequent measurements have been performed with the same chamber ($\beta 2$), gas mixture (Ar-CO₂ 90-10) and operating voltage (mesh@-510 V and drift@100 V/cm), and are intended for checking the measured calibration constants of the ORTEC and Gassiplex chains. They are realized by reading out ^{55}Fe signals from the mesh (through the ORTEC chain) and the chamber pads (through the Gassiplex chain) and measuring the charge that corresponds to the photopeak of the ^{55}Fe spectrum. The time T1 has been adjusted for each case.

4.1 Gassiplex+V550 spectrum

The ^{55}Fe source X-rays convert mainly above 4 adjacent pads. The photopeak position averaged over the 4 pads is estimated to be at 781.3 ± 1 ADU and the pedestal to be at 20 ADU (fig. 10). The ADC count distribution is plotted *vs* input charge, fitted with a gaussian, and the corresponding means have been fitted with $y = p_0 \cdot x + p_1$. With a gain of 4.85 ± 0.25 ADU/fC (C_{int}), the peak corresponds to 157 fC. With a gain of 4.69 ± 0.25 ADU/fC (C_{int} corrected), the peak corresponds to 162 fC.

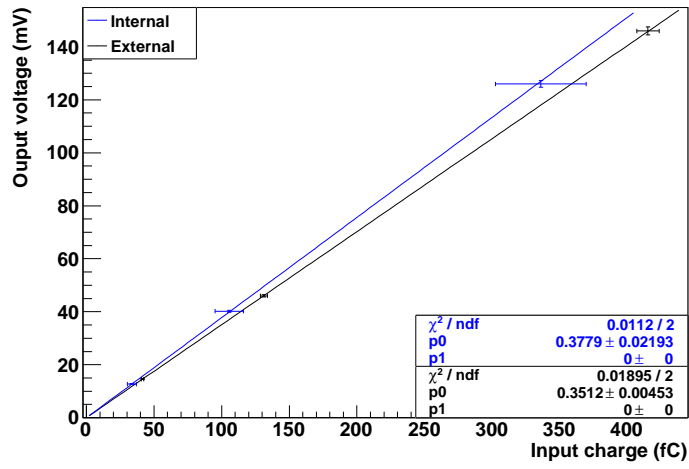
4.2 142C+570+V550 spectrum

The peak position of the corresponding spectrum is estimated to be at $377.1 \pm 1.4 \text{ ADU}$ and the pedestal to be at 9 ADU (fig. 10). With a gain of $2.199 \pm 0.026 \text{ ADU/fC}$ (C_{int}), the peak corresponds to 167 fC . With a gain of $2.359 \pm 0.137 \text{ ADU/fC}$ (C_{ext}), the peak corresponds to 156 fC .

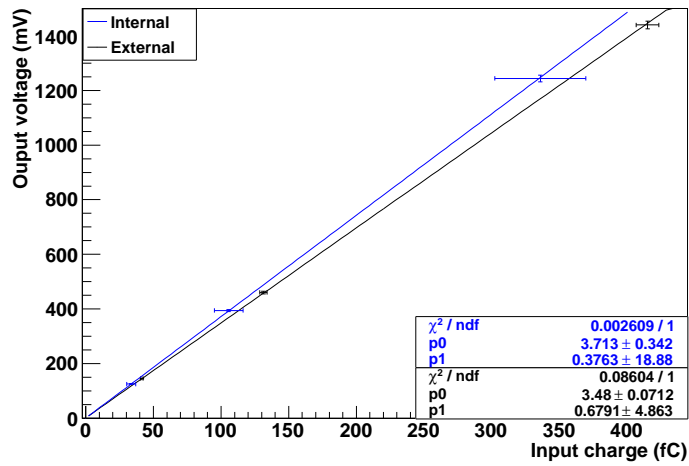
4.3 142C+570+scope spectrum

A gain of $3.480 \pm 0.07 \text{ mV/fC}$ has been formerly established. With the 142C+570+oscilloscope, we have obtained a peak around 600 mV (fig. 11), *i.e.* 172.4 fC .

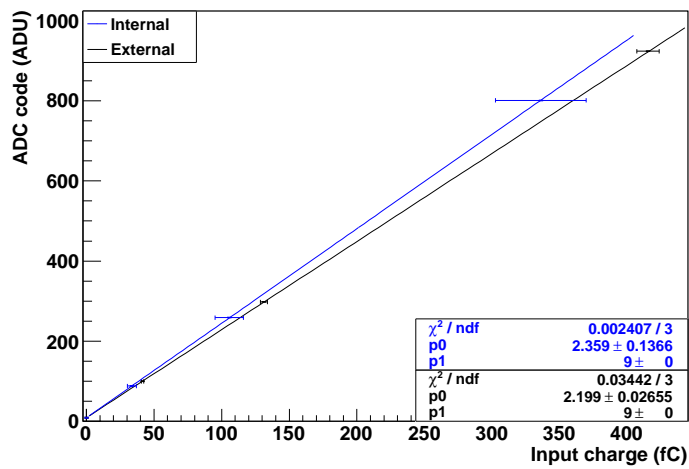
The three peak positions in charge are in very good agreement with preceding measurements.



(a) 142C preamplifier



(b) 570 amplifier



(c) V550 Analog to Digital Converter

Figure 9 – Experimental data and fit results for mesh readout

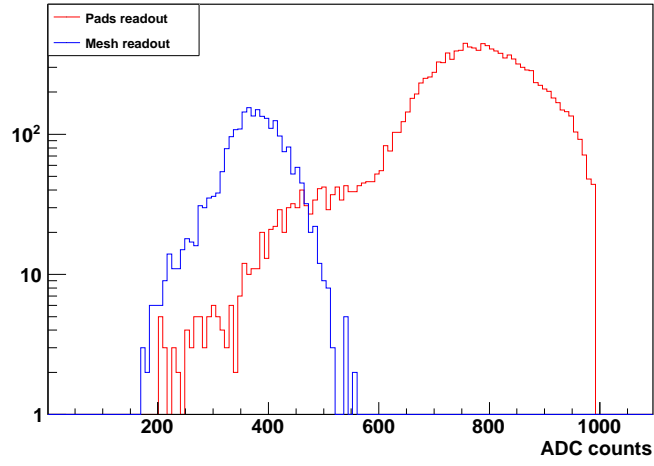


Figure 10 – ^{55}Fe spectrum measured on mesh (ORTEC chain) and pad (Gassiplex) readout

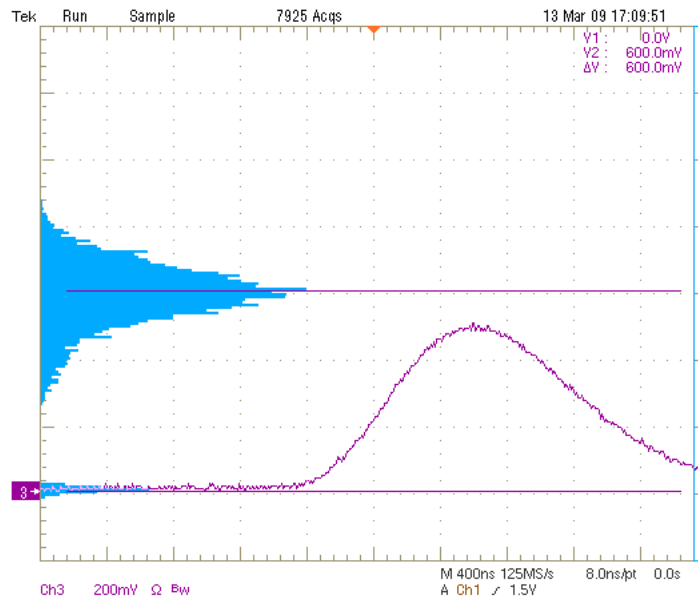


Figure 11 – ^{55}Fe spectrum measured with an oscilloscope